



Back by popular demand, the VARI***LITE**™ VL500™ Wash luminaire is based upon the 1994 Emmy® Award-winning VL5™ Wash luminaire, but with significant design improvements.

This multi-faceted luminaire is available in four base models: the VL500, VL500D, VL500 80V, and VL500A. Plus, as an option, all models of the VL500 are available with pastel versions of the standard colors. The pastel colors offer a softer Broadway-type color palette often used in live theater.

The innovative DICHRO***TUNE**™ radial color mixing system employs three sets of 16 radially mounted dichroic blades - blue, amber, and magenta – designed to produce smooth, full spectrum color cross-fades.

The VL500, VL500D, and VL500 80V models employ 16 radially mounted diffuser planes to control beam spread. Please note that in place of the diffusers, the VL500A uses internally mounted metal blackout panels to control intensity. For additional beam control, all models may be purchased with six interchangeable lens options, including clear, stipple (included in stock fixture), 8-row, 10-row, 12-row, and Buxom.

All models are designed with natural convection cooled lamps, and internally cooled electronics which utilize low velocity, low noise micro-fans. Two on-demand fans are mounted internally in the yoke arms and activate only in extreme conditions where ambient temperature exceeds 45°C, and the fixture is mounted in a horizontal position. User override is possible through menu or console control.

The VL500 is a complete stand-alone fixture with no Smart Repeater™ Processing Unit required. Simply plug in DMX512 data and power, and the VL500 may be controlled through a variety of DMX512 lighting control consoles.

The VL500 comes standard with an on-board, backlit, position sensitive LCD display. This enhanced display is easy to read with or without the backlight on. The display also has an extended remote function, which allows “shop” addressing and adjustment of other fixture parameters by means of an optional battery-powered, hand-held controller, thereby avoiding the need to power the light during these procedures.



* Emmy® is a registered trademark of the National Television Academy (NTA).

Programmable Functions

Intensity Control:	Tungsten models offer an optional integral dimmer or may be dimmed with a customer supplied external dimmer. Arc models contain an internal mechanical douser.
Color Mixing System:	Enhanced DICHRO* TUNE radial color changing mechanism features independent blue, amber and magenta color control.
Beam Control:	In all models, a selection of six, easily interchangeable front lenses provide a variety of beam size and shape options. In the VL500, VL500D, and VL500 80V, an internal, variable diffuser mechanism provides additional beam control. With stipple lens in place and adjustment of diffusion, beam angle is capable of variance from 8-24°.
Pan and Tilt:	Smooth, time-controlled continuous motion by way of a high-power stepper motor system capable of 0.3° resolution.
Range:	Pan - 540°, Tilt - 270°.

Description

Source:	1200W 120V Tungsten Lamp	Color Temperature	3200K
	1000W 230V Tungsten Lamp	Color Temperature	3200K
	1200W 80V Tungsten Lamp	Color Temperature	3200K
	575W Short Arc Lamp	Color Temperature	6000K
	700W Short Arc Lamp	Color Temperature	7200K

Input Requirements:

VL500 Lamp Power:		
1200W/120V Tungsten Lamp power	90-120Vac, 50/60Hz	
1000W/230V Tungsten Lamp power	216-230Vac, 50/60 Hz	
Motor Power both luminaires:	90-264Vac (draws 0.5-2 Amps depending on input voltage)	
VL500D	1200W/120V IGBT	90-120Vac, 50/60Hz (draws 11 Amps)
	1000W/230V IGBT	216-230Vac, 50/60 Hz (draws 5 Amps)
VL500 80V		90-264Vac, 50/60 Hz (draws 6-11 Amps depending on input voltage)
VL500A	575W	90-264Vac, 50/60 Hz (draws 3.5-6 Amps depending on input voltage)
	700W	90-264Vac, 50/60 Hz (draws 3.5-6 Amps depending on input voltage)

Reflector:

Precision parabolic glass reflector system with dichroic cold mirror coating.

Operational Temperature:

-20° to 122°F (-29° to 50°C)

Cooling:

Natural convection cooling supported by on-demand micro-fans for high temperature applications.

Control:

Completely compatible with a variety of DMX512 consoles.

DMX Channels:

8-13 channels depending upon mode selected.

Mounting Position:

May be mounted and operated in any orientation.

Spacing:

Non-integral dimmer and integral dimmer fixtures hang on 19 in. (48.26 cm) centers; Arc and 80V fixtures hang on 21 in. (53.34 cm) centers.

Weight:

VL500 - 43 lbs. (19.5 kg)
 VL500D - 48 lbs. (21.8 kg)
 VL500A - 43 lbs. (19.5 kg) luminaire, 13.5 lbs. (6.12 kg) external ballast
 VL500 80V - 43 lbs. (19.5 kg) luminaire, 13.25 lbs. (6.01 kg) external dimmer.

Ordering Information

Standard Color Dichroic Glass

20.9685.0001.01	VL500 Luminaire, 120V/1200W or 230V/1000W Lamp*
20.9685.0002.01	VL500 Luminaire, 120V/1200W Lamp with Integral IGBT Dimmer
20.9685.0003.01	VL500 Luminaire, 230V/1000W Lamp with Integral IGBT Dimmer
20.9685.0004.01	VL500 Luminaire, 80V/1200W Lamp with External Ballast
20.9685.0005.01	VL500 Luminaire, 575W Arc Lamp with External Ballast
20.9685.0006.01	VL500 Luminaire, 700W Arc Lamp with External Ballast

Pastel Color Dichroic Glass

20.9685.0011.01	VL500 Luminaire, 120V/1200W or 230V/1000W Lamp*
20.9685.0012.01	VL500 Luminaire, 120V/1200W Lamp with Integral IGBT Dimmer
20.9685.0013.01	VL500 Luminaire, 230V/1000W Lamp with Integral IGBT Dimmer
20.9685.0014.01	VL500 Luminaire, 80V/1200W Lamp with External Ballast
20.9685.0015.01	VL500 Luminaire, 575W Arc Lamp with External Ballast
20.9685.0016.01	VL500 Luminaire, 700W Arc Lamp with External Ballast

* = Must specify lamp type when ordering

Accessories

71.2529.0120	120V/1200W Tungsten Halogen Replacement Lamp
71.2526.0230	230V/1000W Tungsten Halogen Replacement Lamp
71.9685.0080	80V/1200W Tungsten Halogen Replacement Lamp
71.2528.0575	575W MSR Arc Replacement Lamp
71.9685.0700	700W MSR Arc Replacement Lamp
71.9685.0702	MSR700/2 MSR Arc Replacement Lamp

42.9685.0201	Clear Lens (VNSP)
42.9685.0202	Stipple Lens (NSP) Standard with Fixture
42.9685.0203	8-Row Lenticular Lens (MFL)
42.9685.0204	12-Row Lenticular Lens (WFL)
42.9685.0205	Buxom Lens (VWFL)

22.9620.0194	Safety Cable Assembly
55.6840.0001	Truss Hook, Mega-Clamp (Round and Square)
	Truss Hook, Mega-Claw (for 2" Round Tube)
55.6841.0001	

VARI*LITE****
 Express yourself.
 a Genlyte company

VL500™ Wash

l u m i n a i r e

PRELIMINARY

Specifications

Each unit is an integrally designed, remote controlled, motorized wash luminaire. The head, yoke, and enclosure housing are constructed of aluminum alloy and steel for lightweight strength and durability. The front nose ring and rear housing shall be hinged and latched, providing easy access to the lamp and lens for replacement.

Each unit shall be equipped with an on-board microprocessor providing diagnostic and self-calibration functions, as well as internal test routines and software update capabilities.

Each unit shall have three-color changers holding 16 frames of dichroic media (blue, amber, and magenta) providing a full spectrum of color cross-fades, with a wide range in the saturated colors.

All units (except the VL500A) shall contain one diffuser mechanism holding 16 glass diffuser panels that intercept the beam and provide continuous time variable diffusion range for each of the available lenses. The VL500A shall employ internally mounted blackout panels for dimming operation.

As noted, the luminaire shall be configured and operate as one of the following specific models:

The VL500: The VL500 wash luminaire shall use a 120VAC/1200W (or a 230VAC/1000W) tungsten lamp. The luminaire shall have a 3200-degree color temperature output. The luminaire shall be natural convection cooled supported by on-demand micro-fans.

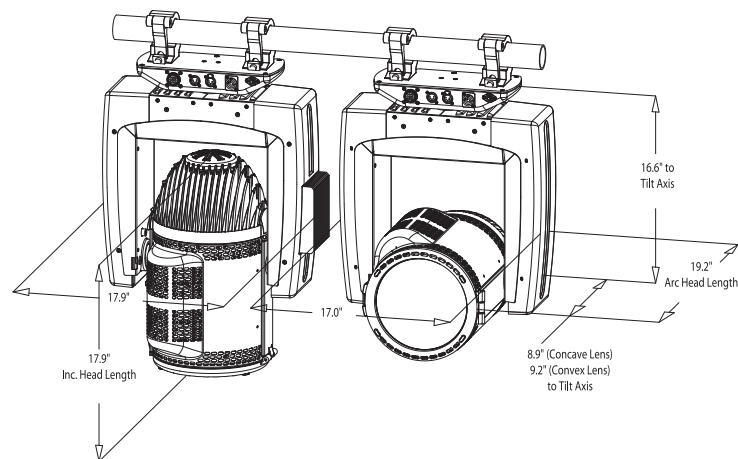
The VL500D: The VL500D wash luminaire shall use a 120VAC/1200W (or a 230VAC/1000W) tungsten lamp, and contain an internal yoke-mounted Insulated Gate Bi-Polar Transistor (IGBT) dimmer. The IGBT dimmer shall be the only source for dimming of the lamp and offer short-circuit, overload, and thermal protection. The luminaire shall have a 3200-degree color temperature output. The VL500D wash luminaire and internal IGBT dimmer shall be natural convection cooled supported by on-demand micro-fans.

VL500 80V: The VL500 80V wash luminaire shall utilize an 80VAC/1200W incandescent lamp, and an external dimmer module. The dimmer module shall be capable of universal operation with an input voltage of 90 to 260VAC and an output voltage of 80VAC to drive the lamp. The luminaire shall have a 3200-degree color temperature output. The VL500 80V wash luminaire and external dimmer shall be natural convection cooled supported by on-demand micro-fans.

VL500A: The VL500A wash luminaire shall utilize an optional 575W (6000-degree color temperature) or 700W (7200-degree color temperature) arc lamp and externally mounted ballast. The luminaire shall employ internally mounted metal blackout panels for dimming operation. The VL500A wash luminaire and external ballast shall be natural convection cooled supported by on-demand micro-fans.

Pastel (Dichroic Glass) Feature:

Pastel Color Feature: As an option, all versions of the VL500 wash luminaire shall be made available with "pastel" or lighter colored blue and magenta color filters. The luminaire fitted with pastel-colored dichroic glass shall maintain the electrical specifications of the standard version of the VL500 wash.



Photometric Data*

1200W 120V Lamp (3200K Color Temperature)						
Lens	Lumens	Candela (cd)	Foot Candles (measured at 124 inches)	Lux (measured at 3.149 meters)	Beam Angle (degrees)	Field Angle (degrees)
Clear	7,241	352,139	3,300	35,501	5.5	14.5
Stipple	6,933	164,545	1,542	16,589	9.5	20

1000W 230V Lamp (3200K Color Temperature)						
Lens	Lumens	Candela (cd)	Foot Candles (measured at 124 inches)	Lux (measured at 3.149 meters)	Beam Angle (degrees)	Field Angle (degrees)
Clear	5,472	322,260	3,020	32,489	5	12.5
Stipple	5,179	155,261	1,455	15,652	8.5	18.5

1200W 80V Lamp (3200K Color Temperature)						
Lens	Lumens	Candela (cd)	Foot Candles (measured at 124 inches)	Lux (measured at 3.149 meters)	Beam Angle (degrees)	Field Angle (degrees)
Clear	8,400	587,753	5,508	59,256	5	11
Stipple	7,904	271,894	2,548	27,411	8	16.5

575W Arc Lamp (6000K Color Temperature)						
Lens	Lumens	Candela (cd)	Foot Candles (measured at 124 inches)	Lux (measured at 3.149 meters)	Beam Angle (degrees)	Field Angle (degrees)
Clear	14,550	1,830,175	17,140	184,426	3.5	7.5
Stipple	13,161	519,672	4,870	52,401	7.5	15

700W Arc Lamp (7200K Color Temperature)						
Lens	Lumens	Candela (cd)	Foot Candles (measured at 124 inches)	Lux (measured at 3.149 meters)	Beam Angle (degrees)	Field Angle (degrees)
Clear	15,441	1,941,035	18,190	195,724	4	8
Stipple	14,402	694,467	6,510	70,047	8	16.5

VARI*LITE
Express yourself.

a Genlyte company

© 2005. Printed in the U.S.A. Specifications are subject to change without notice. VARI*LITE® is a registered trademark of Genlyte Thomas Group LLC. VL500™ is a trademark of Genlyte Thomas Group LLC. VARI*LITE® automated lighting equipment is made in the U.S.A. VARI*LITE® products are protected by patents granted and pending in the U.S. and other countries.



Vari-Lite

10911 Petal Street

Dallas, TX 75238

1.877.VARILITE

fax: 214.647.8038

www.vari-lite.com